

## DATA SHEET – DIMENSIONS

### MULTI-FASTER COUPLINGS - 2 LINES

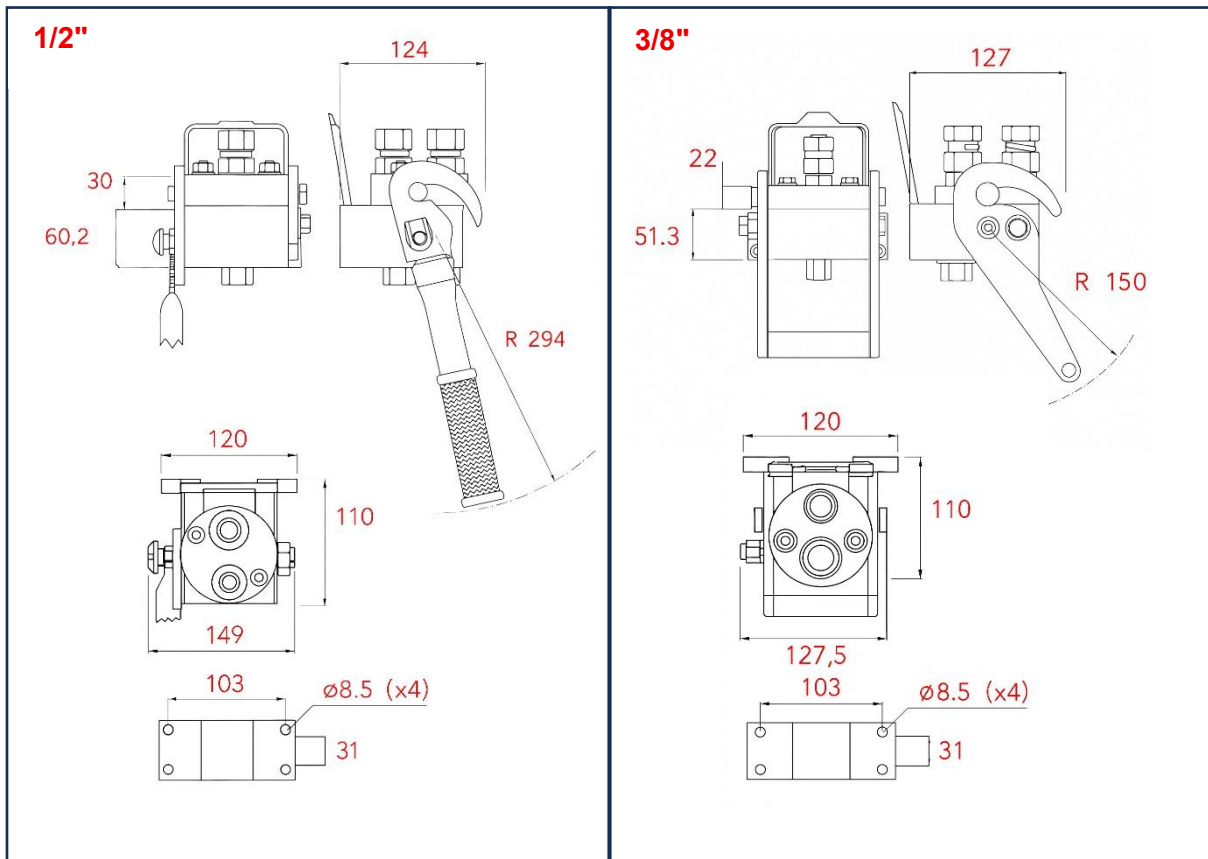
1



# Faster

2

|      | ARTICLE        |                |
|------|----------------|----------------|
|      | FIXED PART (2) | MOBILE PART(1) |
| 3/8" | 14531          | 14532          |
| 1/2" | 13632          | 13633          |



|                        |                     |          |          |         |
|------------------------|---------------------|----------|----------|---------|
| Article:               | 14531               | 14532    | 13632    | 13633   |
| Supplier:              | Italy               |          |          |         |
| Spillage:              | 0.008 ml            |          | 0.01 ml  |         |
| Max. working pressure: | 250 Bar             |          |          |         |
| Temperature range:     | -25 °C to 100 °C    |          |          |         |
| Connection:            | 2 x 3/8"            |          | 2 x 1/2" |         |
| Product weight:        | 2,44 Kg             | 0,891 Kg | 2,864 kg | 1,75 kg |
| Max. flow rate:        | 40 l/min            |          | 70 l/min |         |
| Material:              | Aluminium and steel |          |          |         |

